



PAR38

PAR38 80W E27 230V FL 30D 1CT/12

Pressed-glass 121 mm diameter reflector lamps of high luminous intensity

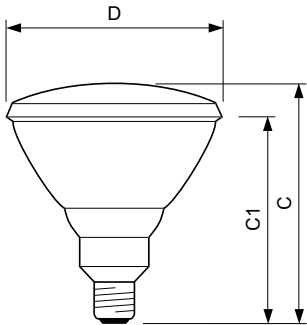
Product data

General Information	
Cap-Base	E27 [E27]
Operating Position	UNIVERSAL [Any or Universal (U)]
Nominal Lifetime (Nom)	2000 h
Switching Cycle	8000X
Light Technical	
Beam Angle (Nom)	30 °
Luminous Flux (Rated) (Nom)	670 lm
Luminous Intensity (Max)	1800 cd
Beam Description	Flood
Rated Beam Angle	30 °
Correlated Color Temperature (Nom)	2700 K
Color Rendering Index (Nom)	100
Luminous Flux in 90° Cone (Rated)	670 lm
Operating and Electrical	
Power (Rated) (Nom)	80.0 W
Starting Time (Nom)	0.0 s
Warm Up Time to 60% Light (Nom)	instant full light
Power Factor (Nom)	1

Voltage (Nom)	230 V
Controls and Dimming	
Dimmable	Yes
Approval and Application	
Energy Efficiency Label (EEL)	D
Energy Consumption kWh/1000 h	80 kWh
Product Data	
Full product code	871150060040015
Order product name	PAR38 80W E27 230V FL 30D 1CT/12
EAN/UPC - Product	8711500600400
Order code	923810544233
Numerator - Quantity Per Pack	1
Numerator - Packs per outer box	12
Material Nr. (12NC)	923810544233
Net Weight (Piece)	319.000 g
ILCOS Code	IPAR-80-230-E27-121/30

PAR38

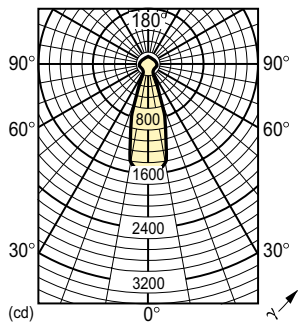
Dimensional drawing



PAR38 80W E27 230V FL

Product	D (max)	C (max)
PAR38 80W E27 230V FL 30D 1CT/12	123 mm	137 mm

Photometric data



PAR38 80W FL

